

# CRX-20iA/L



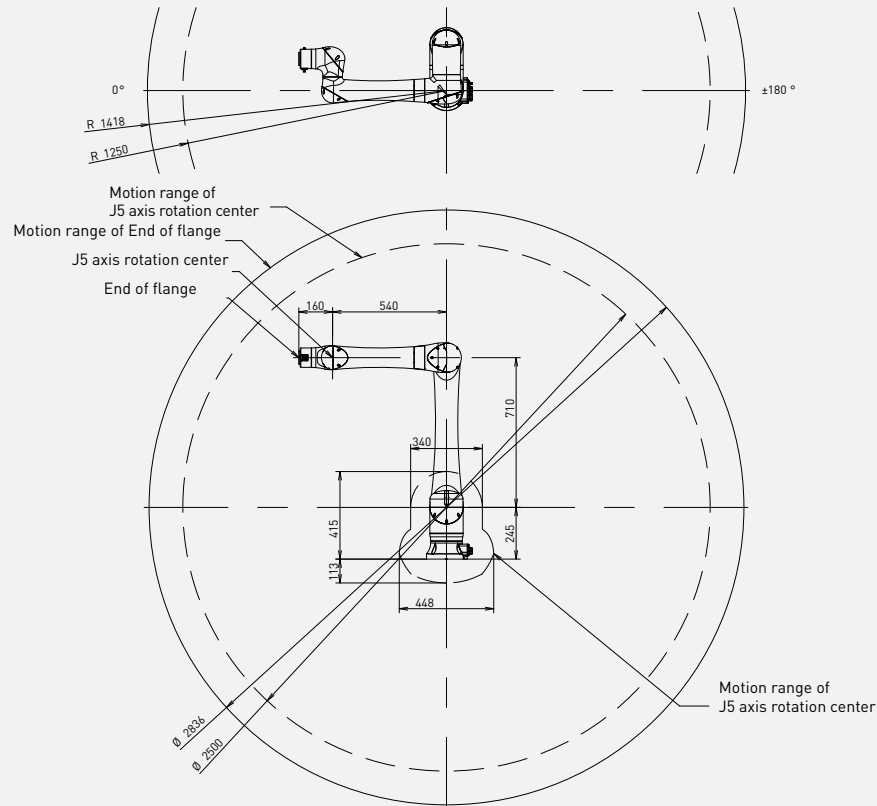
Max. load capacity  
at wrist: **20 kg**



Max. reach:  
**1418 mm**

Controlled axes	Repeatability (mm)	Mechanical weight (kg)	Motion range (°)						Maximum speed (°/s) *2						Maximum linear speed (mm/s)	J4 Moment/Inertia (Nm/kgm <sup>2</sup> )	J5 Moment/Inertia (Nm/kgm <sup>2</sup> )	J6 Moment/Inertia (Nm/kgm <sup>2</sup> )
			J1	J2	J3	J4	J5	J6	J1	J2	J3	J4	J5	J6				
6	± 0.04*	41	360	360	540	380	360	450	80	80	120	112	90	112	1000	70.0/4.00	64.0/4.00	30.0/2.00

## Working range



\*2) During short distance motions, the speed may not reach the maximum value stated \*3) RS458 interface included  
\*4) No dew nor frost allowed \*5) Within one month \*6) Not with food grade option \*7) Food grade grease for all axes



## Robot

Robot	CRX-20iA/L
Robot footprint [mm]	190
Mounting position Floor	●
Mounting position Upside down	●
Mounting position Angle	●



## Controller

Controller	R-30iB Plus
Mini Plus	●
Dimensions [mm]	410 x 277 x 370
Tablet TP	●

## Electrical connections

Voltage 50/60Hz 3phase [V]	-
Voltage 50/60Hz 1phase [V]	200-230
Average power consumption [kW]	0.4

## Integrated services

Integrated signals on upper arm In/Out	2/2 *3
Integrated air supply	-

## Environment

Acoustic noise level [dB]	<70
Ambient temperature [° C]	0-45
Ambient humidity [%]	≤ 75 *4
Ambient humidity - Short term [%RH]	≤ 95 *5
Vibration acceleration [m/s <sup>2</sup> ]	≤ 4.9 (0.5G)

## Protection

Body standard/optional	IP67
Wrist & J3 arm standard/optional	IP67
Cleanroom class (ISO Class 3)	○*6

## Food grade / mechanical options

Food grade grease	○*7
White epoxy paint	○